

Proudly Made  
In America

# Mx-OPUS-HPML

## WIRED PIR SENSOR

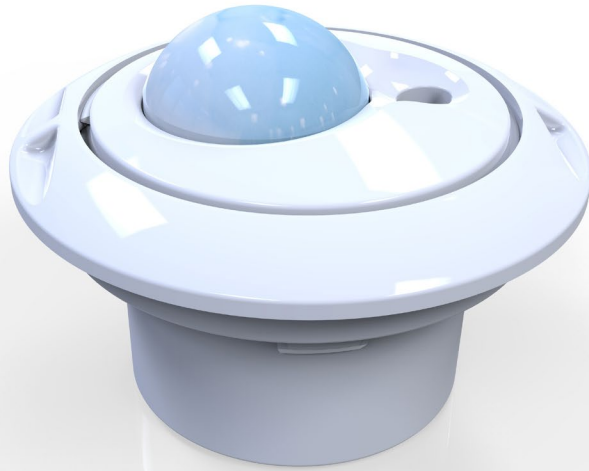
### OVERVIEW:

The Mx-OPUS-HPML provides a lighting OEM with considerable flexibility when it comes to incorporating the sensor into their fixture. The Mx-OPUS-HPML is paired with either the Mx-OPUS-DRD, Mx-OPUS-DR10V, Mx-OPUS-DRDLV or the Mx-OPUS-DRDHV. The Mx-OPUS-HPML includes a digital LUX sensor and a PIR occupancy sensor. The two piece scenario allows for flexibility when installing into fixtures where there isn't significant room for an all-in-one option. This node is rated for up to 39 feet (11 meters) and is also UL listed.

### TECHNICAL DATA:

Part Numbers (Frequency Dependant)	M9-OPUS-HPML (902 MHz - North America) M8-OPUS-HPML (868 MHz - Europe & China) MJ-OPUS-HPML (928MHz - Japan)
Motion Sensing	Digital Passive IR
Detection Distance	12 m (39.3696 ft)
Detection Range (Horizontal x Vertical)	102° x 92°
Detection Zone	92 Zones
Ambient Light Sensing	0-94.8 FC (0-1020 LUX) Photo IC type
Operating Temperature	32° - 140°F (0° - 60°C) - Indoor use only
Operating Power	Less than 1mA
Standby Power	< 1W
Enclosure	ABS Plastic
Wireless Protocol	EnOcean Wireless Protocol
Wireless Range	150 ft (50 ft to 150 ft typical)
Certifications	IEC 62386-101:2014 IEC 62386-103:2014
Dimensions	Thread diameter: 1.709" (43.41 mm) Tube diameter: 1.841" (46.76 mm) Cap diameter: 1.953" (49.61 mm)



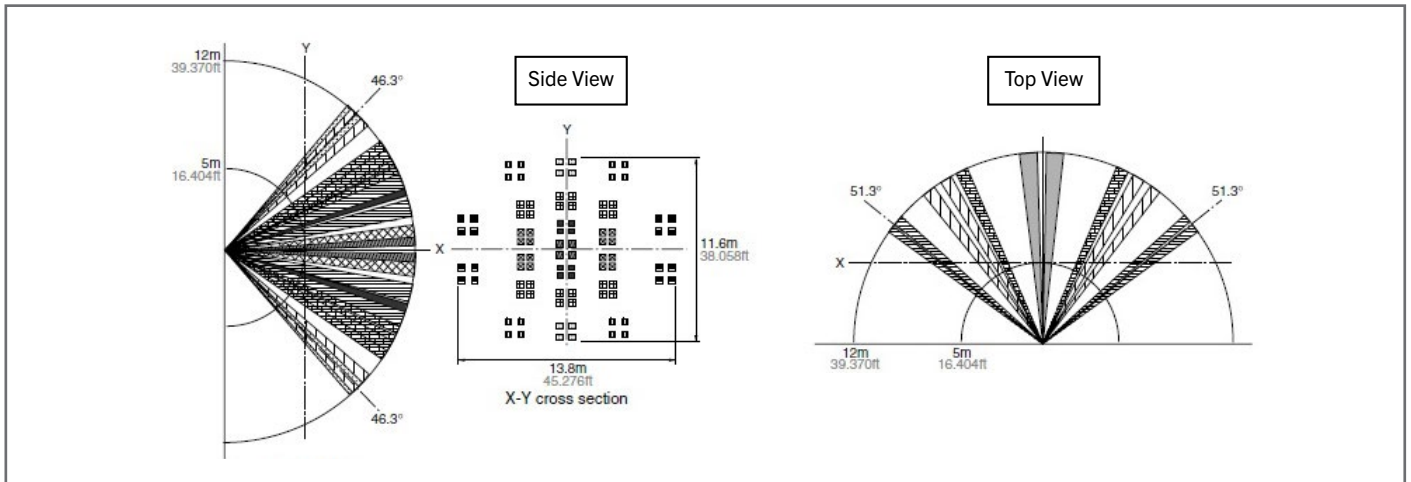


Proudly Made  
In America

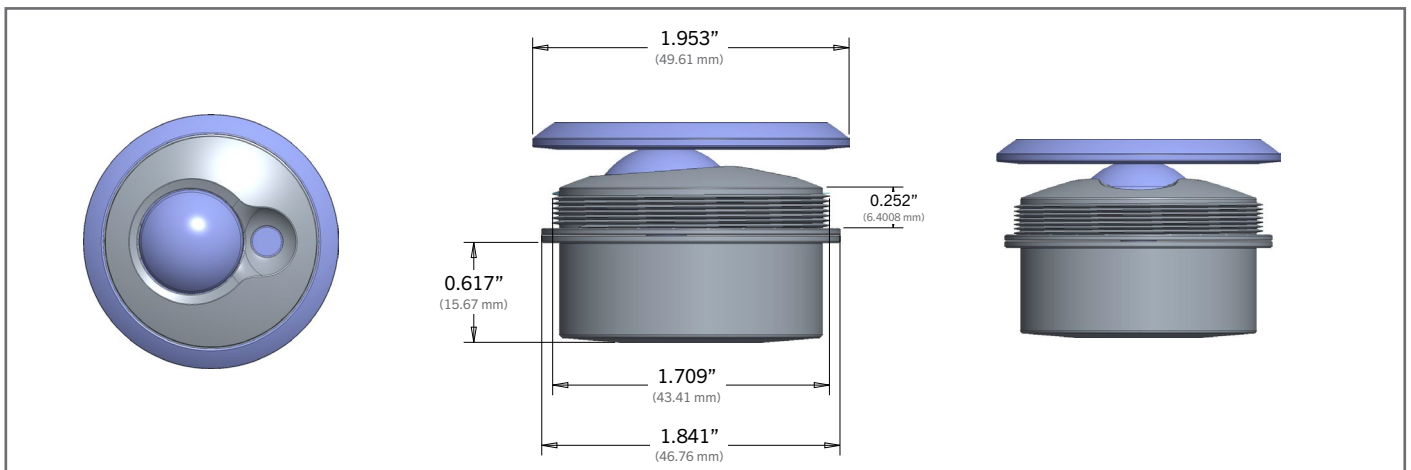
# Mx-OPUS-HPML

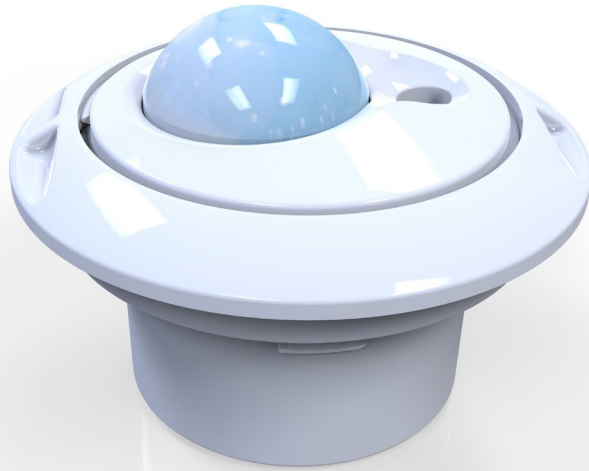
## WIRED PIR SENSOR

DETECTION PERFORMANCE:



DIMENSIONS:



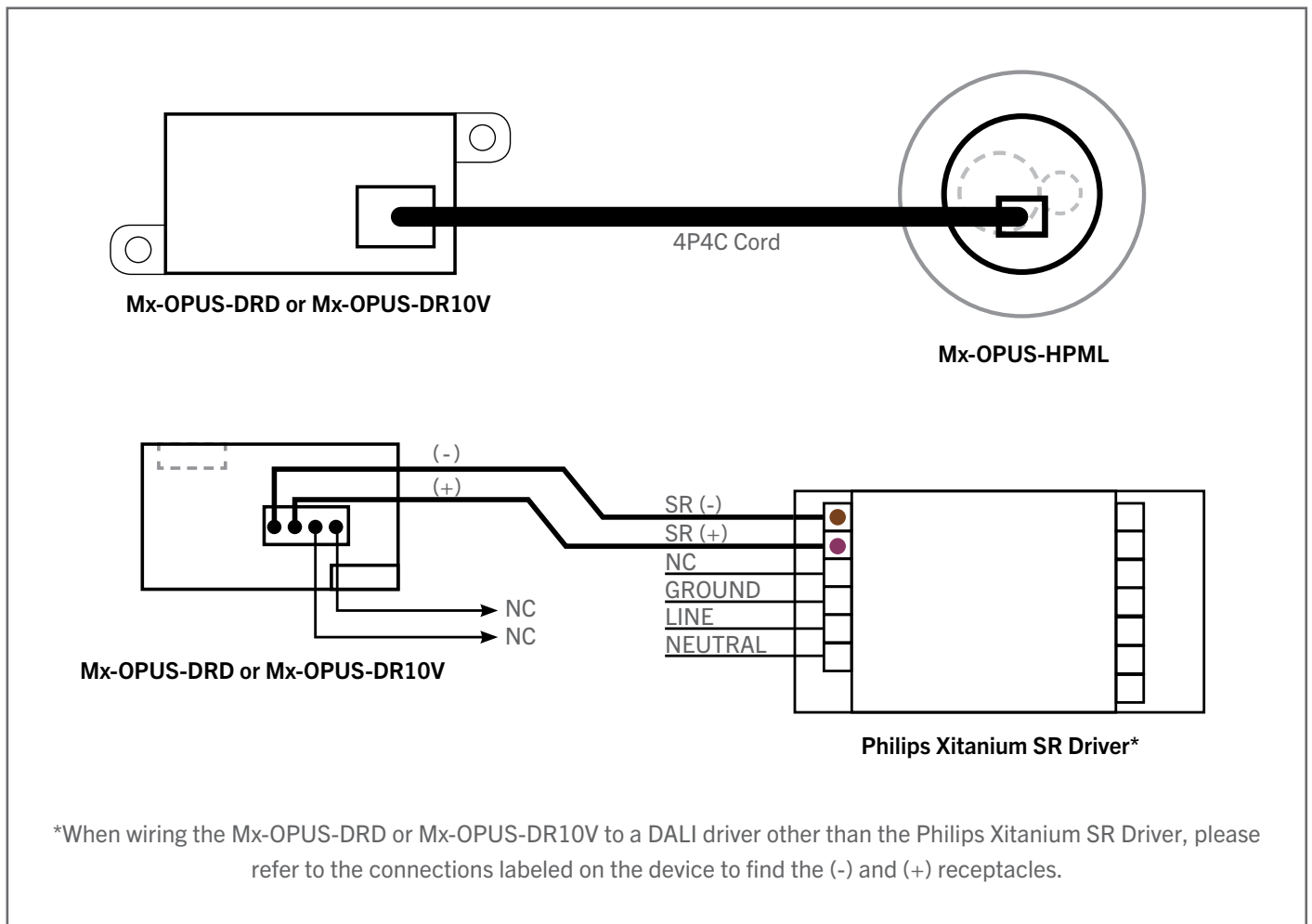


Proudly Made  
In America

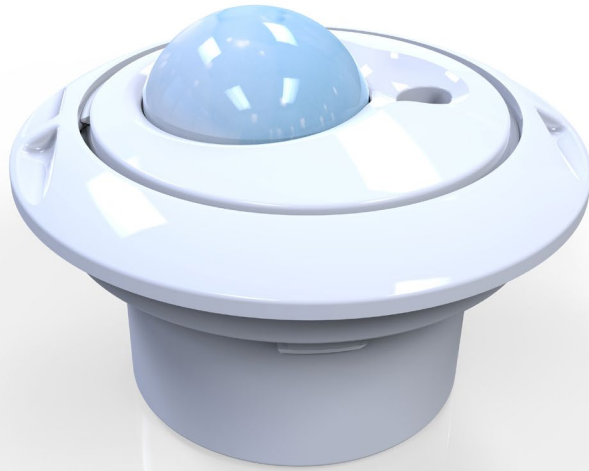
# Mx-OPUS-HPML

## WIRED PIR SENSOR

WIRING DIAGRAM:



\*When wiring the Mx-OPUS-DRD or Mx-OPUS-DR10V to a DALI driver other than the Philips Xitanium SR Driver, please refer to the connections labeled on the device to find the (-) and (+) receptacles.

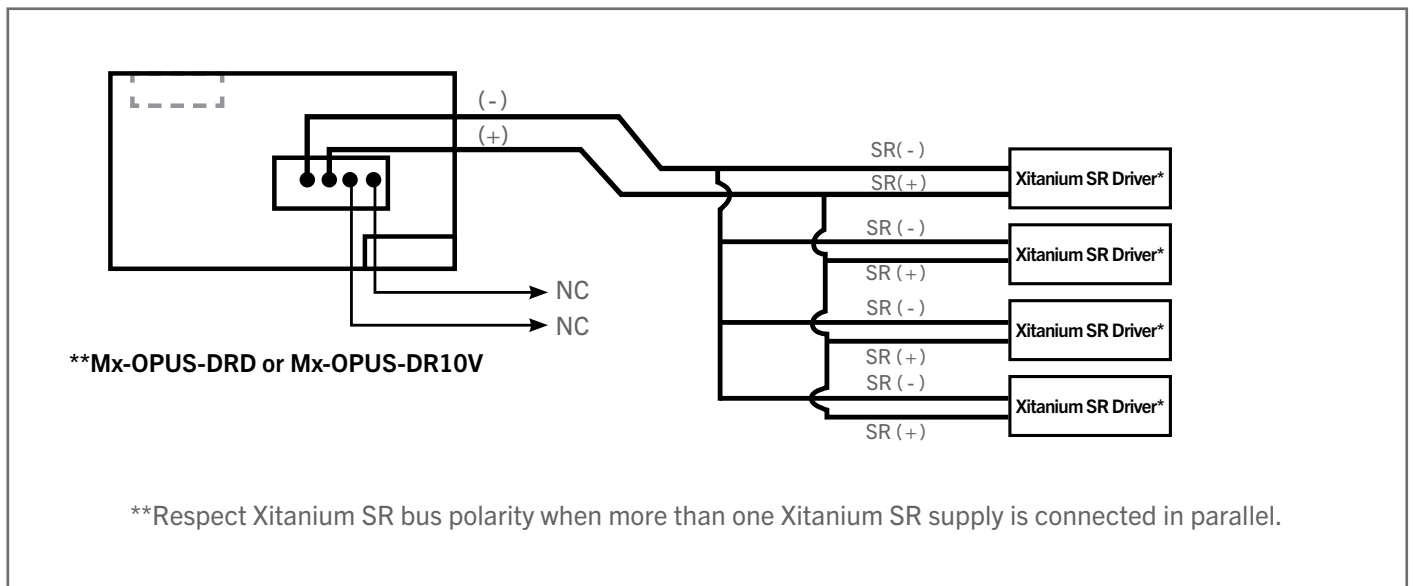


Proudly Made  
In America

# Mx-OPUS-HPML

## WIRED PIR SENSOR

### WIRING DIAGRAM (CONTINUED)



### ENVIRONMENTAL CONCERNS:

- Humidity degree: 15 to 85%Rh (Avoid condensation or freezing of this product)
- Pressure: 86 to 106KPa
- Overheating, oscillations, shocks can cause the sensor to malfunction.
- This sensor is not waterproof or dust-proof. Avoid use in environments subject to excessive moisture, condensation, frost, containing salt air or dust.
- Avoid use in environments with corrosive gases.